

VS FLOPRO 2.70 HP
VARIABLE-SPEED PUMP



Jandy®
Pro Series

VS FLOPRO™
VARIABLE-SPEED PUMP

Ultimate Efficiency.
Up to 70% Quieter.¹
Compact Design.



VS FLOPRO 2.70 HP VARIABLE-SPEED PUMP



Save up to 90% on energy costs with the VS FloPro 2.7 HP Variable-Speed Pump²

VS FloPro is designed to save you money. Its variable-speed motor allows for dramatic energy savings, especially when operated at lower speeds. In addition, its innovative adjustable base allows for simple installation on new construction, or quick and easy replacement of existing pumps.

» Ultra high-efficiency motor

Features a totally enclosed fan-cooled (TEFC) permanent magnet brushless DC motor for cooler operation and extended motor life.

» Quiet

Advanced motor design allows VS FloPro to run at energy-saving lower speeds for significantly quieter operation.

» Digital controller included³

Two timed speeds/eight speeds total. Remotely mounted controller provides easy access to pump controls. Reliable battery backup ensures time and settings are stored during power outages.



» Compact

High-performance pump in a compact body. Fits easily in small equipment areas.

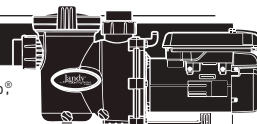
» Additional features

- Adjustable base included³
- 2" unions and 2" internal threads
- Ergonomic easy-transport handle
- High profile easy-grip handles with large capacity basket

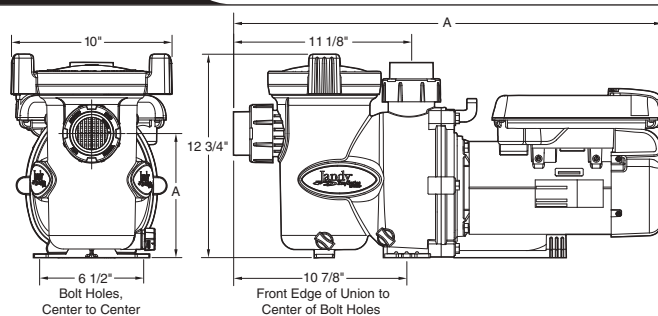
» Complies with Appliance Efficiency Standards (CEC Title 20 & ANSI®/APSP-15) and qualifies for utility rebates, where offered.

BASE CONFIGURATIONS

Config.	Model No.	Base Incl.?	Lines Up to
No base required	VSFHP270JEP	Y	Hayward® Super Pump®, Pentair® SuperFlo®, Sta-Rite® SuperMax®
	VSFHP270AUT	Y	
Small base	VSFHP270JEP	Y	Hayward Super II™, Jandy Pro Series Plus HP & Max HP
	VSFHP270AUT	N	
Small base w/spacers	VSFHP270JEP	Y	Pentair WhisperFlo®, Sta-Rite® Dyna-Glas
	VSFHP270AUT	N	
Small base+ large base ⁴	VSFHP270JEP	Y	Sta-Rite Max-E-Pro®, Sta-Rite Dura-Glas®, Sta-Rite Dura-Glas II, Sta-Rite Max-E-Glas®
	VSFHP270AUT	N	



DIMENSIONS

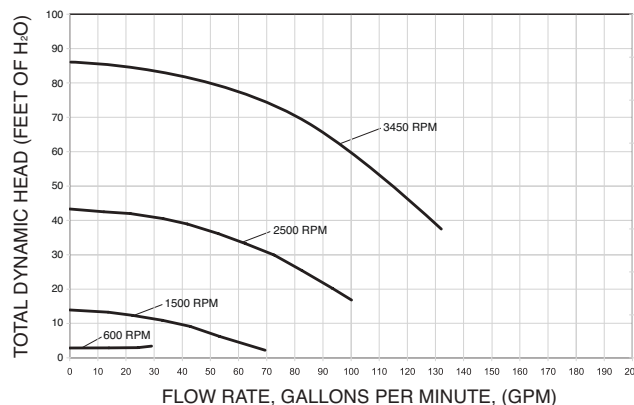


SPECIFICATIONS

Model No.	Total Horsepower	Voltage	Max Watts	Recommended Pipe Size†	Carton Weight	Overall Length
VSFHP270JEP	2.7	208-230 VAC	2,400 W	2½-3"	56.0 lbs	27¾"
VSFHP270AUT ⁵	2.70	208-230 VAC	2,400 W	2½-3"	56.0 lbs	27¾"

PERFORMANCE

VSFHP270 PERFORMANCE CURVES



¹ Up to 70% quieter than traditional single-speed pumps.

² Actual savings dependent on pump horsepower, usage and energy costs.

³ Does not include adjustable bases or user interface. Intended for use with AquaLink RS, AquaLink PDA, or AquaLink Z4 control systems.

⁴ Optional: Part # R0546400

⁵ Always follow local building and safety codes for pipe sizing and guidelines.



Zodiac Pool Systems, Inc.
2620 Commerce Way, Vista, CA 92081
1.800.822.7933 | www.ZodiacPoolSystems.com

Zodiac Pool Systems Canada, Inc.
2115 South Service Road West, Unit #3, Oakville, ON L6L 5W2
1.888.647.4004 | www.ZodiacPoolSystems.ca



©2015 Zodiac Pool Systems, Inc. SL6201 Rev F 0415
ZODIAC® is a registered trademark of Zodiac International, S.A.S.U., used under license. All other trademarks used herein are the property of their respective owners.